

EnviroMax *Innovative Enclosures for Robotics & Automated Processes*



Project:
Stanford University

- Vented Exhaust Enclosures**
- HEPA Filtered Laminar Flow Enclosures**
- Bio-Equipment Enclosure Work Stations**
- Custom Worksurfaces & Bench Stands**
- Enclosure Accessories**



Project: National Forensics & Coroners Complex, Canada



Project: Pfizer

HEMCO
Laboratory Planning Solutions

EnviroMax Vented Exhaust Enclosures



Project: Stanford University
**Custom Enclosure features
seismic levelers on the tables.**
Can be manufactured to your specifications.

EnviroMax Vented Exhaust Enclosures protects personnel

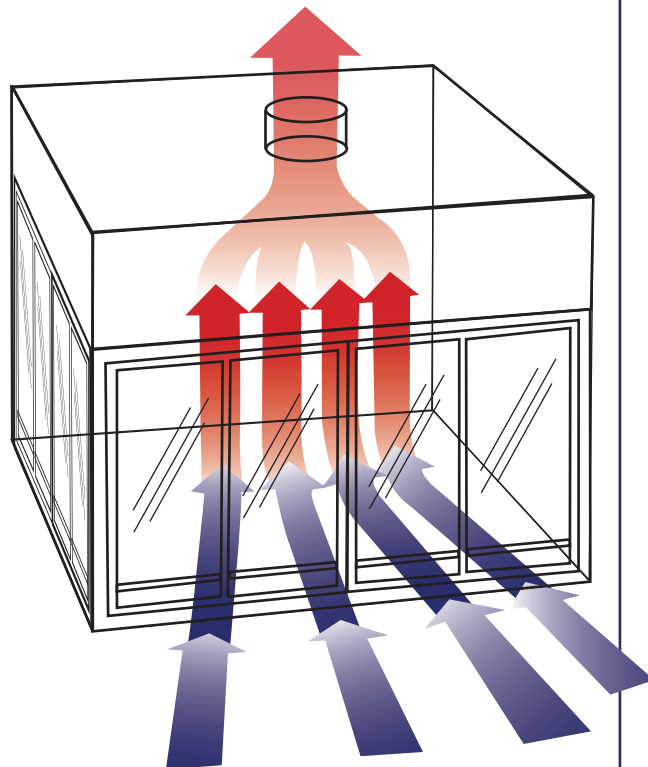
A Vented Exhaust Enclosure offered in Unitized & Modular Designs for exhausting fumes from Robotic & Automated processes

Designed to protect personnel from potentially hazardous fumes, vapors and odors. The enclosure can connect to in-house exhaust system or a dedicated exhaust blower, to provide the internal negative pressure needed to safely remove hazardous fumes from the work area. Air supply into the enclosure is supplied from the surrounding lab environment.

EnviroMax Options

- Access on any or all sides
- Multi-Plug strips
- Exhaust blowers
- Vertical slide or hinged doors
- Base cabinets
- Exhaust HEPA or carbon filters
- Other materials of construction
- Anodized aluminum & stainless steel framing
- Plumbing and electrical service fixtures
- Airflow alarms
- Support benches & work surfaces
- Accessories see pages 10 -11

**Contact us for custom enclosures built
to your exact specifications or
visit: www.HEMCOcorp.com**



EnviroMax Vented Exhaust Enclosures

Unitized Construction Sizes			
Width	Depth	Height	Cat. No.
48"	30"	48"	61041
60"	30"	48"	61051
72"	30"	48"	61061
96"	30"	48"	61081
48"	36"	48"	61042
60"	36"	48"	61052
72"	36"	48"	61062
96"	36"	48"	61082

Unitized EnviroMax Vented Exhaust Enclosure sizes 4', 5', 6', and 8' wide by 30" & 36" deep by 46" high

Unitized design with depth of 30" and 36" to allow passage through door ways for easy on-site setup. Viewing from all four sides of the enclosed system. Access to interior of enclosure, available from any or all sides. Vent duct sized to airflow requirements. Pre-wired electrical connection to single point junction box. Under the bench storage and shelving designed to suit your requirements.

Note: Custom sizes are welcomed.



Project: National Forensics & Coroners Complex, Canada
EnviroMax enclosure, unitized 120" wide X 36" deep X 48" high, with custom acid storage cabinets

Unitized EnviroMax Vented Exhaust Enclosure

Superstructure is welded steel framework with chemical resistant white powder coated finish. Side and rear walls are of clear acrylic or tempered glass. Ceiling is constructed of molded composite resin with the outlet duct connection collar sized for desired air volume. Slotted ceiling baffle allows air to flow evenly through the interior area into the exhaust plenum. The front of the enclosure features horizontal sliding shatter-proof clear viewing panels, (4) panels on (2) tracks allowing access at any position. Fluorescent light is factory installed and sealed behind a clear lens. Light switch is mounted on the front post. Provides an economical and flexible work space that exceeds stringent contamination requirements. All electrical components are U.L. listed.

Modular Construction Sizes			
Width	Depth	Height	Cat. No.
72"	48"	48"	62061
96"	48"	48"	62081
120"	48"	48"	62101
144"	48"	48"	62121
72"	60"	48"	62062
96"	60"	48"	62082
120"	60"	48"	62102
144"	60"	48"	62122
168"	60"	54"	62123

Modular EnviroMax Vented Exhaust Enclosure sizes 6', 8', 10', 12' & 14' wide by 48" & 60" deep by 46" high

Modular design with depth of 48" or 60" requires on-site assembly prior to setup and vent ducting. Pre-wired electrical connection to single point junction box. Work surface and support benches and cabinets sized to specifications. Provides an environment free of contamination for sensitive processes.

Note: Custom sizes are welcomed.



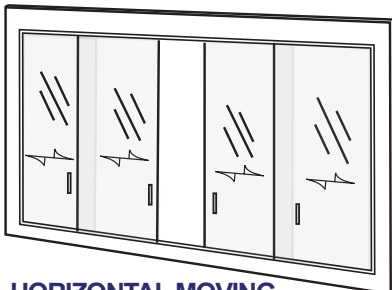
Project: National Forensics & Coroners Complex, Canada

EnviroMax Modular enclosure size: 60" wide X 60" deep X 96" high with work surface & 60" wide X 60" deep X 24" high support table

Modular EnviroMax Vented Exhaust Enclosure

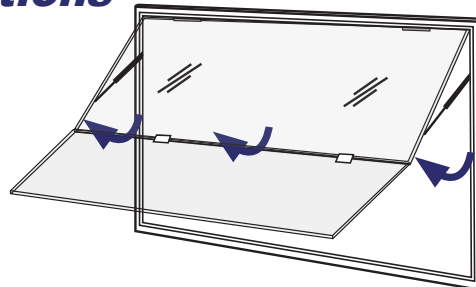
Superstructure is welded steel framework with chemical resistant white powder coated finish. Side and rear walls are of clear acrylic or tempered glass. Ceiling is constructed of molded composite resin with the outlet duct connection collar sized for desired air volume. Slotted ceiling baffle allows air to be drawn out evenly across the width of the interior into the exhaust plenum. The front of the enclosure features horizontal sliding tempered glass panels, (4) panels on (2) tracks allowing access at any position. Fluorescent light is factory installed and sealed behind a clear lens. Light switch is mounted on the front header panel. All electrical components are U.L. listed.

EnviroMax Sash Options



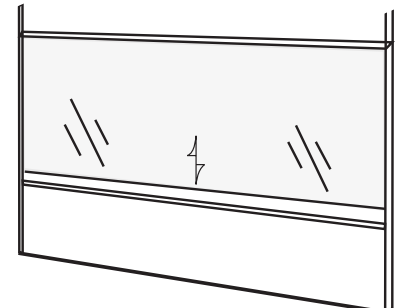
HORIZONTAL MOVING SASHES

The standard sash for EnviroMax. The maximum sash opening for the horizontal sash is 1/2 that of the vertical sashes. The smaller opening, means less air exhausted resulting in energy savings.



OPTIONAL HINGED MOVING SASHES

Optional sash for EnviroMax. The sash may be hinged vertical rising or horizontal open for maximum access thru the fume chamber.



OPTIONAL COUNTER BALANCED VERTICAL MOVING SASHES

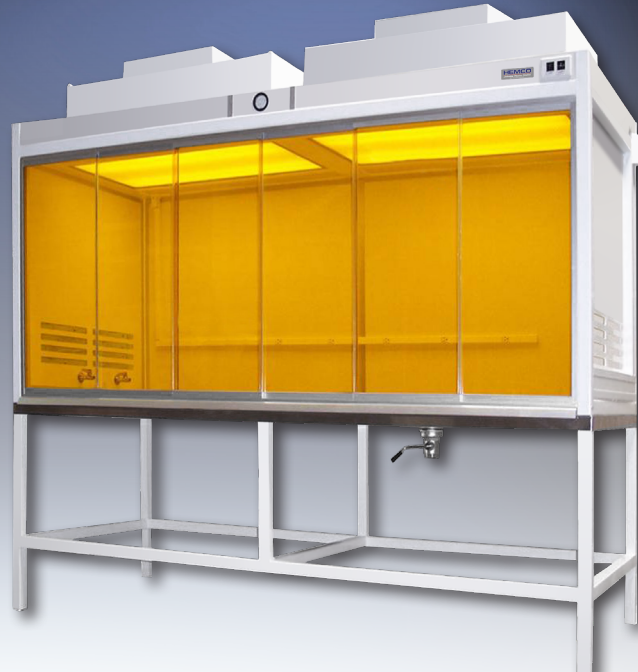
The optional sash for EnviroMax. The sash may be lifted to the completely open position for maximum access to the fume chamber. Sash stops available.

EnviroMax HEPA Laminar Flow Enclosures



Project: Eli Lilly

EnviroMax HEPA filtered 96" wide X 48" deep X 60" high horizontal sliding doors front & rear, hinged right & left side doors, heavy duty support table with seismic levelers



Project: Brewer Science

Modular EnviroMax HEPA filtered laminar flow enclosure, sliding doors on front, size: 120" wide X 48" deep X 60" high, mobile table 30" high with epoxy shelf

EnviroMax HEPA Filtered Clean Work Enclosures Laminar Flow Benches protects processes

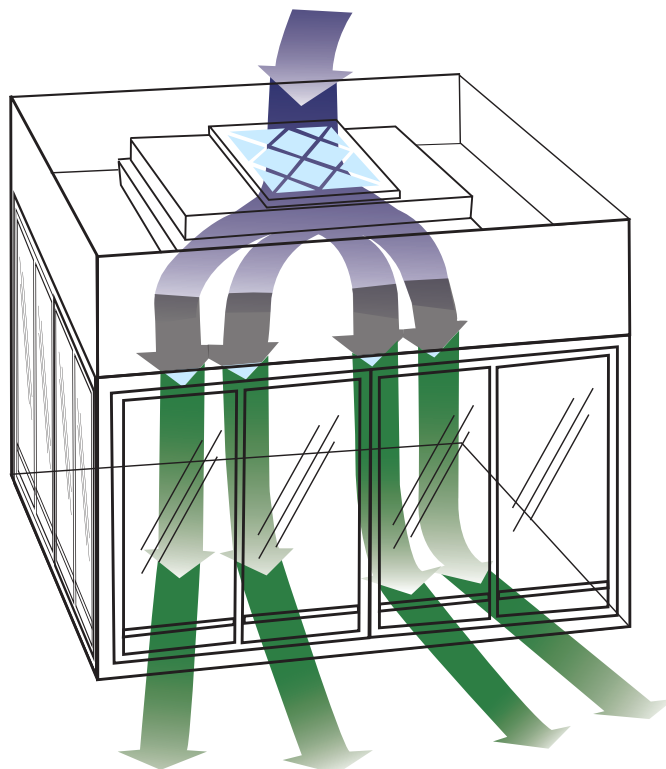
HEPA Filtered Enclosure offered in Unitized & Modular Design for Class 100 Clean Work Enclosure

Specifically engineered to meet critical clean specifications by isolating equipment and procedures. The HEPA filtration eliminates particles 0.3 or larger to an efficiency of 99.995%, class 100 laminar airflow maintains a sterile work zone. Filters and lighting are conveniently changed from inside the enclosure. Optional U.V. lighting, anti-static and grounding options are available.

EnviroMax HEPA Filtered Options

- Access on any or all sides
- Multi-plug strips
- Magnehelic gages
- cord port
- base cabinets
- Other materials of construction
- Anodized aluminum & stainless steel framing
- Electrical and key lock services
- Support benches & Work surfaces
- Accessories see pages 10 -11

Contact us for custom enclosures built to your exact specifications or visit: www.HEMCOcorp.com

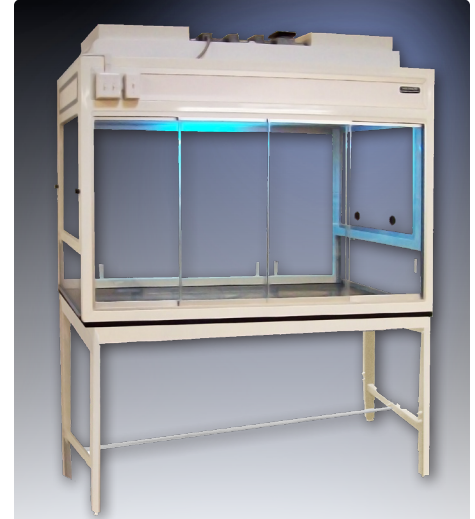


EnviroMax HEPA Laminar Flow Enclosures

Unitized Construction Sizes			
Width	Depth	Height	Cat. No.
48"	30"	60"	63041
60"	30"	60"	63051
72"	30"	60"	63061
96"	30"	60"	63081
48"	36"	60"	63042
60"	36"	60"	63052
72"	36"	60"	63062
96"	36"	60"	63082

Unitized EnviroMax HEPA Filtered Clean Workstation. Sizes are 4', 5', 6', & 8' wide by 60" high

Unitized design with depth of 30" and 36" to allow passage through doorways for easy on-site set-up. HEPA filters provide sterile clean airflow through work area with air returned to room space. Pre-wired electrical connection to a single point junction box. Work surfaces & support benches listed on page 8. Note: Custom sizes are welcomed.



Project: Wyeth / Pfizer
EnviroMax laminar flow enclosure size: 72" wide X 36" deep X 60" high with UV light, & standard base table

Unitized EnviroMax Specifications Clean Workstation

Superstructure is welded steel framework with chemical resistant white powder coated finish. Side and rear walls are of clear acrylic or tempered glass. The front comes equipped with horizontal slide windows with air outlet slots on sides and front to maintain positive pressure. HEPA filters are ceiling mounted in the enclosure and designed to maintain a minimum of class 100 environment. HEPA filters are 99.99% efficient at .3 micron HEPA filter module has an integral fan, prefilter, and speed control. Fluorescent lighting is provided, switches are located on the front post. Provides an economical and flexible work space that exceeds stringent contamination requirements. All electrical components are U.L. listed.

Modular Construction Sizes			
Width	Depth	Height	Cat. No.
72"	48"	60"	64061
96"	48"	60"	64081
120"	48"	60"	64101
144"	48"	60"	64121
72"	60"	60"	64062
96"	60"	60"	64082
120"	60"	60"	64102
144"	60"	60"	64122

Modular EnviroMax HEPA Filtered Clean Workstation. Sizes are 6', 8', 10' & 12' wide by 48" & 60" deep by 60" high

Modular design with depths of 48" & 60" for on-site assembly prior to setup and electrical connection. HEPA filters provide sterile clean airflow through work area and returned to room air space. Pre-wired electrical connection to single point junction box. Under the bench storage and shelving designed to suit your requirements. Note: Custom sizes are welcomed.

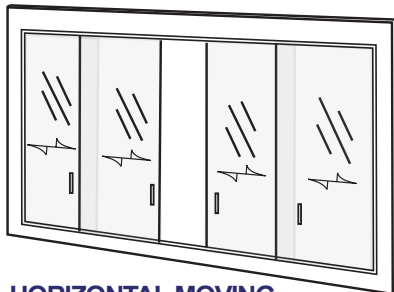


Project: Medtronics
Unitized EnviroMax 96" wide X 36" deep X 60" high, base table 96" wide X 36" deep X 36" high, with sliding sashes front and back and side hinged sashes

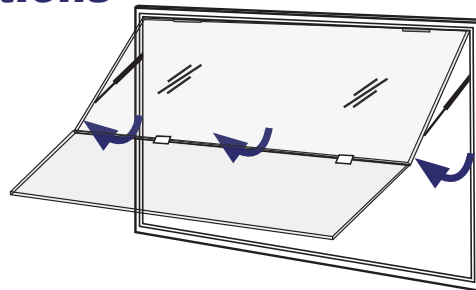
Modular EnviroMax Clean Workstation Enclosure

Superstructure is welded steel framework with chemical resistant white powder coated finish. Side and rear walls are of clear acrylic or tempered glass. The front comes equipped with horizontal slide windows with air outlet slots on sides and front to maintain positive pressure. HEPA filters are ceiling mounted in the enclosure and designed to maintain a minimum of class 100 environment. HEPA filters are 99.99% efficient at .3 micron. HEPA filter module has an integral fan, prefilter, and speed control. Fluorescent lighting is provided. Switches are located on the front post. All electrical components are U.L. listed.

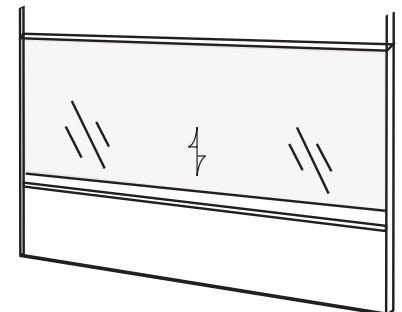
EnviroMax Sash Options



HORIZONTAL MOVING SASHES The standard sash for EnviroMax. The maximum sash opening for the horizontal sash is 1/2 that of the vertical sashes. The smaller opening, means less air exhausted resulting in energy savings.



OPTIONAL HINGED MOVING SASHES Optional sash for EnviroMax. The sash may be hinged vertical rising or horizontal open for maximum access thru the fume chamber.



OPTIONAL COUNTER BALANCED VERTICAL MOVING SASHES The optional sash for EnviroMax. The sash may be lifted to the completely open position for maximum access tho the fume chamber. Sash stops available.

EnviroMax HEPA Filtered Bio-Enclosures

EnviroMax Bio-Enclosures are engineered and built to protect a process from surrounding contamination and personnel from hazardous elements. They are engineered to meet your equipment size and design requirement. Instrumentation and samples are safely protected by a laminar downward flow of HEPA filtered air and the user is protected by the face velocity of entering air.



Project: Human Genome Sciences

EnviroMax Equipment Enclosure
size: 120" wide X 42" deep X 108" high provides HEPA filtered protection for product & personnel. Unit is equipped with stainless steel base and rear access panels



Project: Frederick Cancer Research

Applications include: liquid handling, high throughput automation processes, integrated systems, genomics / proteomics

EnviroMax Bio-Enclosure Options

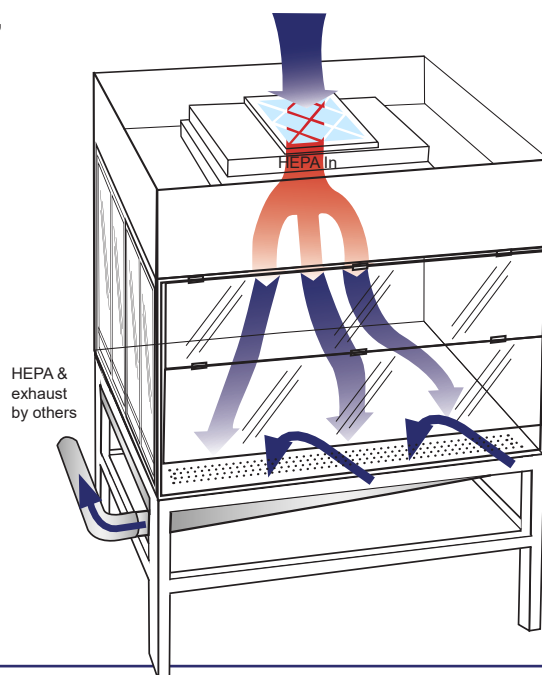
- UV lighting
- Multi-plug electrical strips
- Service fixtures
- Pipette trash chute
- Access panels
- Lab cabinets

EnviroMax Bio-Enclosure Specifications

Superstructure is constructed of square tube steel with electrostatic applied epoxy powder coat finish. Rear wall is of composite resin and the side walls are of tempered glass. The front features a hinge-up safety viewing window for loading and set-up of equipment and a clear access opening below for user operation. The worksurface is fabricated of type 304 stainless steel which includes a full width perforated front area for air to exit the enclosure and an exhaust plenum below the surface with duct connection for 100% exhaust. HEPA filtration is ceiling mounted providing ISO 5 clean air into the enclosure. HEPA filters are 99.99% efficient and include a pre-filter. Enclosure is equipped with fluorescent lighting, light switch, fan switch with speed control, magnehelic gauge, and support table.

HEPA filtered clean air is introduced into the enclosure creating a laminar downward airflow pattern that exits through a perforation across the front of the worksurface. This bathes the instrumentation, samples and process in class 100 (ISO 5) clean air and ensures that it is protected from outside contamination.

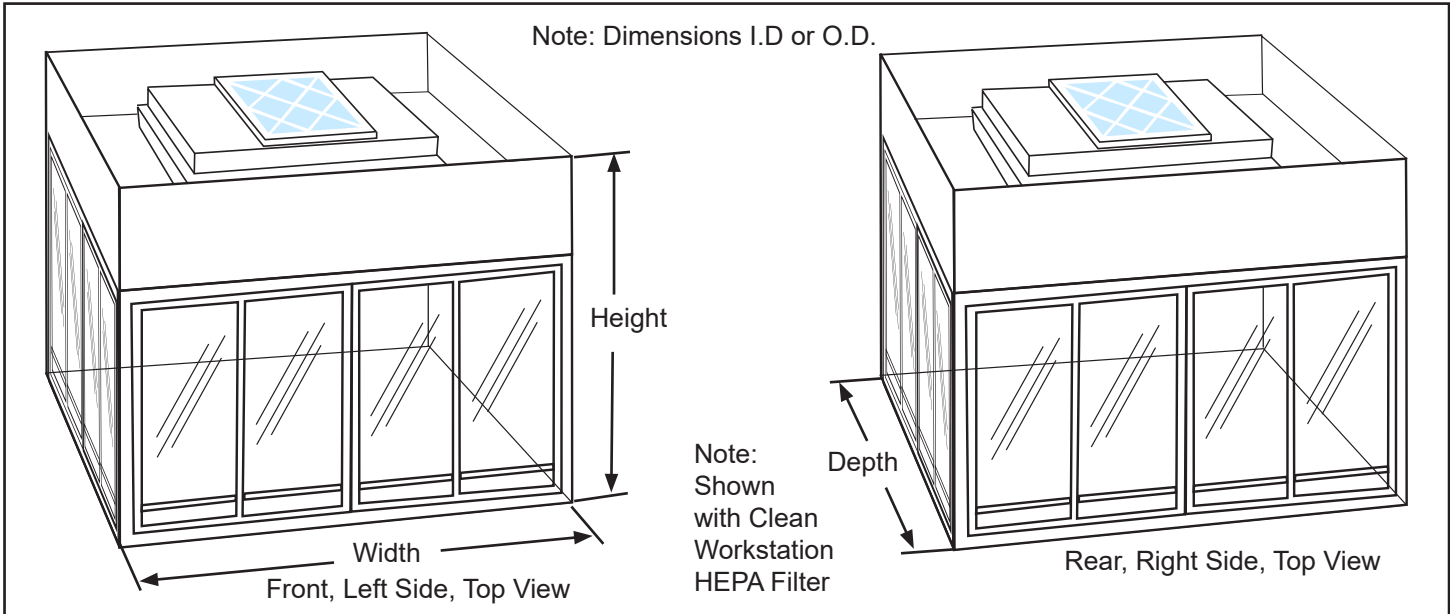
Air also enters through the sash opening on the front of the enclosure. This air has a face velocity of 100 fpm which upon passing the frontal plane of the sash opening is immediately drawn down and exits through the perforation across the front of the worksurface. This inward flow of air serves as the protection for the user and by exiting through the perforation, contamination never breaches the air curtain created by the laminar downward airflow from the filter modules.



EnviroMax Enclosure Specification Planner

Customer _____ By _____
 Project _____ Date _____

Please note on the line drawings below dimensions, type of doors, door locations and service requirements. Please email completed form to info@hemcocorp.com.



TYPE OF ENCLOSURES

HAZARDOUS CONTAINMENT EXHAUST ENCLOSURE

1. Doors: Horizontal Slide _____ Vertical Slide _____ Hinge-Up _____ Hinge-Out _____
 Access: Front _____ Rear _____ Right _____ Left _____ All _____
2. Wall/Ceiling Panels: Glass _____ Acrylic _____ Composite _____ Phenolic _____
3. Lighting: Fluorescent _____ Explosion Proof _____ None _____
 Baffle: Yes _____ No _____ If Yes, Top _____ Rear _____
4. Exhaust Collar Diameter _____
5. Exhaust Fan: Yes _____ No _____ If Yes, CFM _____ Or ACH _____
6. Filter: Yes _____ No _____ If Yes, HEPA _____ Carbon _____

CLEAN WORKSTATION ENCLOSURE

1. Doors: Horizontal Slide _____ Hinge-Up _____
 Access: Front _____ Rear _____ Right _____ Left _____ All _____
2. Wall/Ceiling Panels: Glass _____ Acrylic _____ Composite _____ Phenolic _____
3. Lighting: Fluorescent _____ UV _____ Explosion proof _____ None, _____
4. HEPA Filtration: Class / ISO _____ Other _____

BIO-ENCLOSURE

1. Doors: Standard Hinge-up View Shield _____ Other _____
 Access: Front _____
2. Wall Panels: Composite Resin _____ Glass _____
3. Standard Stainless Steel worksurface with perforated flow-thru, and lower exhaust plenum
 Exhaust - 100%

Note: Does this enclosure need to ship knockdown to allow passage clearance through doorways, corridors, elevators, etc. Yes _____ No _____ If yes, please provide dimensions of doorways, etc. _____

EnviroMax Bench Stands & Worksurfaces

Custom Sized Bench/Stands & Worksurfaces



- Work Benches are available in custom sizes to meet your project specifications
- Standard color: Lab White

Custom worksurface options include:

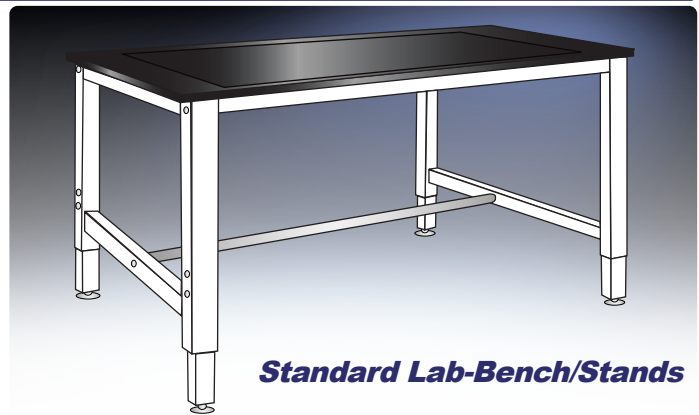
- 1" thick Epoxy resin,
- 1" Phenolic resin
- 1-1/2" thick Plastic laminate
- 1-1/4" thick ESD electrostatic dissipating laminate
- Aluminum or Stainless steel \ optical breadboard

Custom Bench / Stand options include:

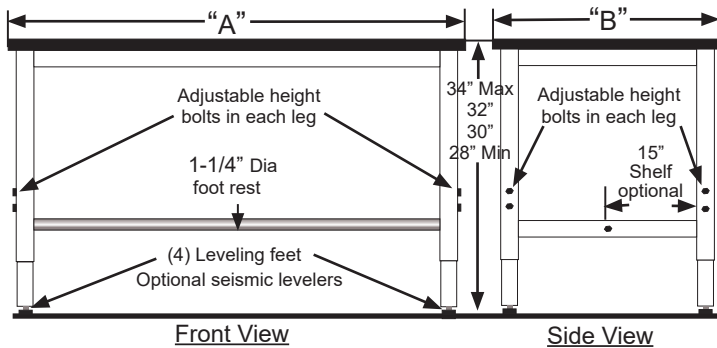
- Lower steel shelf for added storage
- Seismic levelers
- Std swivel locking casters (set of 4)
- Roll and set casters (set of 4)
- Available in ADA or sitting height
- Options include cabinets, bottom shelves
- See Table Specification Planner page 9

Standard Bench/Stands for Unitized Enclosures

- Available in 4', 5', 6' & 8' widths. Depths of 30" & 36".
- Tested to 2000 lb. load capacity.
- Adjustable telescoping 2" square steel legs adjust to 28", 30", 32" & 34" heights.
- Sturdy dual locking bolts on each leg.
- Height adjustable leveling legs on all four legs.
- Optional seismic levelers for legs.
- Standard color: Lab White



Standard Lab-Bench/Stands



Heavy Duty Lab-Bench/Stands		Optional Shelf	
Width "A"	Depth "B"		Depth
	27-1/2"	33-1/2"	
Cat. No.			
48"	54821	54822	54823
60"	56021	56022	56023
72"	57221	57222	57223
96"	59621	59622	59623

Worksurfaces Specifications

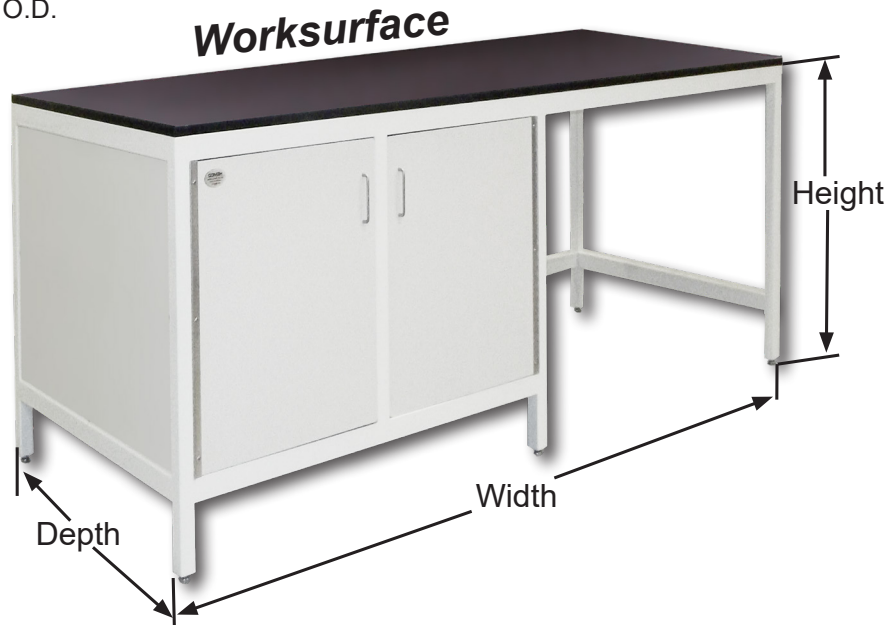
Material	Description:	Depth "B"	Width "A"			
			48"	60"	72"	96"
*Durcon Epoxy Resin	1" thick chemical, heat & abrasive resistant epoxy resin work surface, 30" & 36" depth. color: black	30"	20425	20525	20625	20825
		36"	20424	20524	20624	20824
Phenolic Resin	1" thick chemical, scratch & wear resistant phenolic resin work surface. 30" & 36" depth. color: black	30"	20427	20527	20627	20827
		36"	20426	20526	20626	20826
Plastic Laminate	1-1/2" thick, scratch & wear resistant plastic laminate work surface. 30" & 36" depth. color: gray	30"	20428	20528	20628	20828
		36"	20429	20529	20629	20829
ESD Laminate	1-1/4" thick, electrostatic dissipative ESD laminate work surface. 30" & 36" depth. color: gray	30"	20422	20522	20622	20822
		36"	20423	20523	20623	20823
Stainless Steel	1-1/4" thick, stainless steel work surface. 30" & 36" depth.	30"	20431	20531	20631	20831
		36"	20430	20530	20630	20830
Aluminum Optical Bread Board	25 mm thick, solid aluminum work surface. tapped & anodized, 30" & 36" depth. color: flat black	30"	20421	20521	20621	20821
		36"	20420	20520	20620	20820

EnviroMax Bench Stand Specification Planner

Customer _____ By _____
 Project _____ Date _____

Please note on the line drawings below dimensions, type of doors, door locations and service requirements. Please email completed form to info@hemcocorp.com.

Note: Dimensions I.D or O.D.



TYPE OF TABLE

SUPPORT TABLE/CABINET

1. Open Leg Table _____ Enclosed Cabinet _____ Shelf: Yes _____ No _____
2. If enclosed cabinet: Hinged doors _____ Slide doors _____ Front _____ Rear _____
 Right: _____ Left _____ All _____
3. Mobile: Yes _____ No _____ Weight load _____ Vibration concern _____

WORKSURFACE

1. Phenolic Resin _____ Plastic Laminate _____ Stainless Steel _____ *Durcon Epoxy _____
 Breadboard _____ ESD (Electrostatic dissipating) _____
2. Dimensions: _____ " wide X _____ " deep X _____ " thick _____
3. Dished: Yes _____ No _____
4. Sink: Yes _____ No _____ If yes, size: _____ by _____ by _____
5. Cord Port: Yes _____ No _____, If yes, diameter _____

ELECTRICAL/PLUMBING

1. Plug Strip _____ Pedestal Box _____ Number of Plug-ins _____ Voltage _____
2. Location _____
3. Cord/cable access 2" diameter Ports-quantity _____ Location _____
4. Keycock: Yes _____ No _____ Type of liquid or gas service _____

Note: Does this enclosure need to ship knockdown to allow passage clearance through doorways, corridors, elevators, etc. Yes _____ No _____ If yes, please provide dimensions of doorways, etc. _____

*Durcon is a registered trademark of Durcon International

EnviroMax Enclosures Accessories

Pressure Differential Gauge Options



Minihelic Gauge

Gauge monitors the pressure across the HEPA filter. Gauge conveniently mounts on the fume hood or on the filter housing. Measure range is from 0 to 2.0" wg. Gauge is 3" dia. accurate within 5%.

Cat. No. 51300



Magnehelic Gauge

Gauge measures static pressure across the HEPA filter. Can mount on the fume hood or the filter housing. Range of measurement is from 0 to 2"wg. Gauge is 5" dia. accurate within 2%.

Cat. No. 51301



Mini Photohelic Gauge

Series MP Mini-Photohelic differential pressure gauge with two SPDT switching set points, is designed to measure and control positive, negative, or differential pressures consisting of noncombustible & non-corrosive gasses. Gauge is 3" dia.

Cat. No. 51302



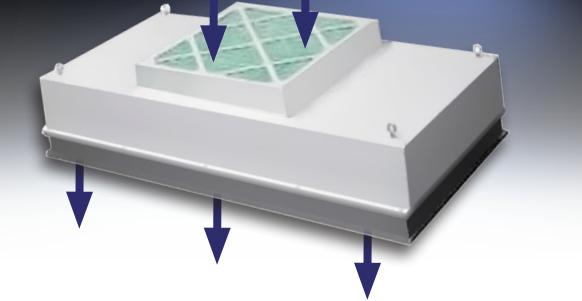
DigiHelic Gauge

Series DH3 Gauge allows selection of pressure, velocity, or volumetric flow operation. Programming is easy using menu keys to access 5 menus which provide access to security level, selection of pressure, velocity of flow operation, & selection of engineering units. Gauge is 3" dia.

Cat. No. 51303

HEPA Filtered Module

Fan Powered Module



- Module features a 99.99% efficient @ 0.3 micron HEPA filter with, 90 FPM @ initial 0.47 w.g., 115v low watt A/C, 60Hz 1ph, includes prefilter, on/off/variable speed control, powder coated steel housing.
- HEPA filters can be changed from inside the enclosure, without removing the unit from the ceiling, can be ordered with optional integral lighting.

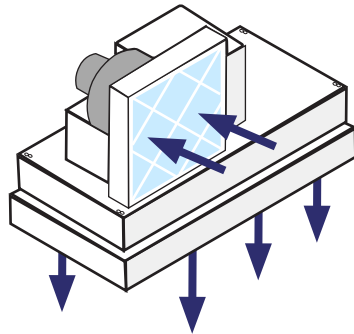
Size	With lights	With out lights
24" X 24"	50222	50322
24" X 36"	50223	50323
24" X 48"	50224	50324
24" X 72"	50126	50226

Filter units feature an upstream gel channel on the final filter which provides a leak-free seal between the filter and the housing.

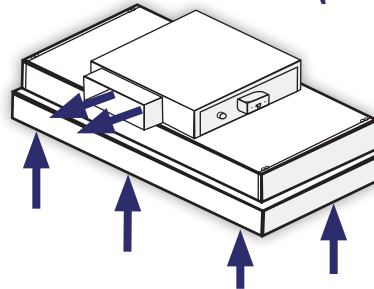
Explosion Proof Module

Unit features a 24" X 48", 99.99% efficient HEPA filter, prefilter, spark resistant fan, filter change from the inside of the enclosure.

Cat. No. 50424



HEPA Exhaust (Ductless)

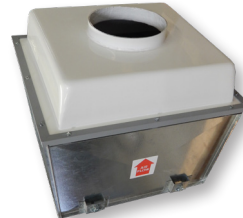


Reverse flow HEPA filter module draws air out through the HEPA filter and discharges air back to lab. 24" X 48" 99.99% efficient HEPA filter

Fan Powered HEPA Module

Size	With lights	With out lights
24" X 24"	50232	50332
24" X 48"	50234	50334

HEPA or Carbon Exhaust (Ducted)



Housing features a hinged access door for either HEPA or carbon filter change out. For exhaust requirements to 1000 cfm. Housing is installed on roof of enclosure.

Fan Powered HEPA Module

Size	Housing with filter	Replacement filter
HEPA filter	50189	50095 24" X 24" X 12"
Carbon filter	50298	52101 24" X 24" X 12"
Prefilter ctn of (6)	--	52001 24" X 24" X 2"

Replacement Filters

Replacement Filters Description	Cat. No.
Prefilter, 30% efficient 20" X 20" X 1"	52190
HEPA filter 99.99% efficient (Inside Replaceable) (for 24" X 24" module)	52201
HEPA filter 99.99% efficient (Non Inside Replaceable) (for 24" X 24" module)	52070
HEPA filter 99.99% efficient (Inside Replaceable) (for 24" X 36" module)	52214
HEPA filter 99.99% efficient (Non Inside Replaceable) (for 24" X 36" module)	52013
HEPA filter 99.99% efficient (Inside Replaceable) (for 24" X 48" module)	52200
HEPA filter 99.99% efficient (Non Inside Replaceable) (for 24" X 48" module)	52090

EnviroMax Electrical & Plumbing Services

Electrical services are UL, CSA & CE listed. They come factory installed, wired to a single point junction box when ordered with fume hoods. Services must be wired to comply with local codes.

Electrical Services



Duplex Receptacle
115V single phase receptacle. Installed on front column of fume hood. Includes junction box and cover plate. UL listed.

amps	Cat. No.
15 amps	50029-1
20 amps	50029-2



Single Receptacle
230V single phase receptacle. Installed on front column of fume hood. Includes junction box and cover plate. UL listed.

amps	Cat. No.
15 amps	50030-1
20 amps	50030-2



GFI Duplex
115V consists of combination ground fault interrupters, 3-wire polarized grounded. Includes junction box & cover plate. UL listed.

amps	Cat. No.
15 amps	50048-1
20 amps	50048-2



Data Port
Cat 6, 10 gigabit ethernet, (2) port fixture. Installed on front column. Cabling not included.

Cat No. 50053



Light Switch (standard)
115V/15 amps. Includes junction box and cover plate. UL listed.
Cat. No. 50028-1



Blower Switch with Pilot Light
Includes junction box and cover plate. UL listed.

volts/amps	Cat. No.
115V 15 amps	50027-1
230V 20 amps	50027-3



Blower Switch
Mounted in a single gang receptacle box with face plate. Factory mounted not wired. Includes thermal overload protection. Double pole switch for up to 1 HP, single phase, 60 Hz 115V 50 Hz, 230V AC motors. UL listed.

Cat. No. 50050



Service Port Pass-Through
Convenient port allows cords, tubes, or cables to pass to and from the hood.
Cat. No. 50100

Vapor Proof Light Fixtures



Vapor-Proof Light

Factory installed. Accepts bulb up to 150w, 115V, UL listed, (bulb not included) Standard on CE, Canopy, Universal and EcoFlow hoods.
Cat. No. 50035

LED Light Fixture



LED fixture with Stainless steel reflector, (2) tube, 115V, UL listed. (LEDs included) LED has a 50,000 hour average life span. Standard on SE and LE Fume hoods.

24 inch.....	Cat. No. 51124
36 inch.....	Cat. No. 51136
48 inch.....	Cat. No. 51148

Fluorescent Lighting



T-5 fixture with Stainless steel reflector, (2) tube, 115V/230V tubes changed from the outside. (fluorescent tubes are included) UL listed.

24 inch.....	Cat. No. 50224
36 inch.....	Cat. No. 50236
48 inch.....	Cat. No. 50248

Explosion Proof Light Fixtures and Services



Explosion-Proof Light Std

For use in hazardous locations. Gray, two-coat epoxy finish with easily removed prismatic globe. Factory mounted, not wired. Accepts compact fluorescent or LED, (bulb not included) 115V /230V UL listed. Class I Div II Group A, B,C,D Class II Div II Group F & G
Cat. No. 50034



Explosion-Proof Fixture

For use in hazardous locations. Gray, two coat epoxy finish with easily removed prismatic globe. Accepts compact fluorescent or LED, (bulb not included) 115V/230V. Factory mounted, not wired. UL listed. Class I Div I Group C, D, Class II Div I Group E, F & G
Cat. No. 50038



Explosion-Proof Fluorescent Lighting

fixture is (2) tube, 115V/230V with tubes changed from the outside. UL listed. (fluorescent tubes are included)

24 inch.....	Cat. No. 50077
48 inch.....	Cat. No. 50078

Explosion-Proof Switch



For use in hazardous locations. Surface mount type with cast aluminum housing. Specify 115V/20 amp or 230V/20 amp. UL listed.
Cat. No. 50036

Explosion-Proof Plug



Adaptable for use with all receptacles. 3-pole, 2-wire, Specify 115V/20 amp or 230V/20 amp AC. Not installed at factory. UL listed.
Cat. No. 50039

Explosion-Proof Receptacle



For use in hazardous locations. Surface mount type with aluminum housing, 3-pole, 2-wire, Specify 115V/20 amp or 230V/20 amp. Not installed at factory. UL listed.
Cat. No. 50037

Explosion-Proof Ground Fault Interrupter



For use in hazardous locations. Factory sealed GFI is designed to interrupt a circuit when a ground fault is detected. 115V 60 Hz, 20 amp. Not installed at factory. UL listed.
Cat. No. 50104

International Electrical Services

Continental European Socket with cover cap



Type: CEE7
color: gray
Rating 250V/16 amp, installed at factory.
Cat. No. 50004

Indian / South Africa Socket ISA



Type: BS546
color: white
Rating 250V/15 amp, installed at factory.
Cat. No. 50006

United Kingdom / Ireland Shuttered Socket



Type: BS1363
color: white
Rating 250V/13 amp installed at factory.
Cat. No. 50007

Continental European Panel Mount Socket



Type: CEE7
color: white
Rating 250V/15 amp installed at factory.
Cat. No. 50008

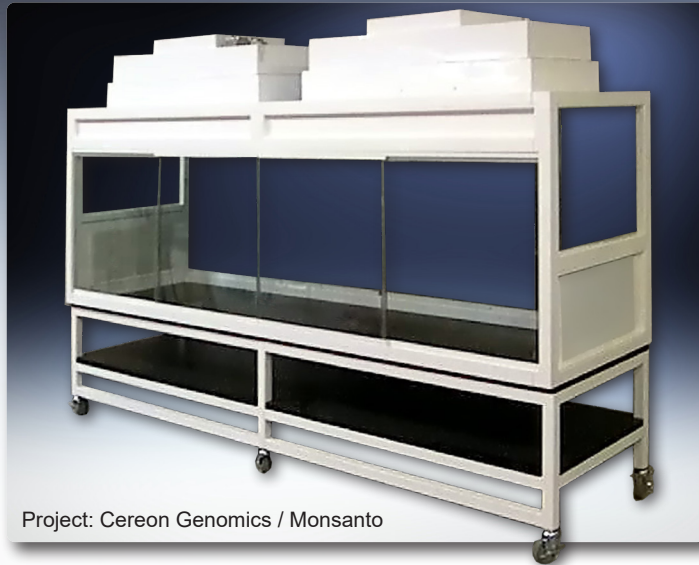
EnviroMax *Innovative Enclosures for Robotics & Automated Processes*



Project: National Forensics & Coroners Complex, Canada



Project: Abbott Labs



Project: Cereon Genomics / Monsanto



Project: Eli Lilly

Request a free brochure at www.HEMCOcorp.com and browse the entire selection of HEMCO Laboratory Equipment



UniFlow Laboratory Fume Hoods Brochure



Laboratory Planning Solutions Complete Planning Guide



UniMax Large Floor Mount Walk-In Fume Hoods Brochure



Laboratory Ventilation Systems Brochure



HEMCO Corporation
711 South Powell Road
Independence, MO 64056

HEMCO
ISO 9001:2015 Certified Company

For Prompt Service Call

Phone (816) 796-2900
www.HEMCOcorp.com
ENVM-06.24